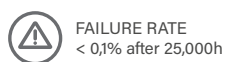


FOX.25

iotaLAMP

www.iotalamp.com



CIRCULAR PROJECTORS
FOX SERIES

References

Code	Type	Finish	Light Color	Power	Lense		Voltage	Driver
VL-F25	A Base	LG Light grey	White					
	B Base 2	DK Dark grey	W24 2400K	70W	1,5° (70W)	2,5°	UNIV 100-264Vac	STD ON/OFF
	C Pole Arm	WH White	W27 2700K	85W	6°	12°		010 0-10V
		BK Black	W30 3000K	120W	20°	30°		DALI
		RAL Any RAL color	W40 4000K		40°	60°	CAS Casambi	
			W60 6000K		5x20°	10x70°		
			Single Color (SC)					
			R Red	85W	2,5°	6°	UNIV 100-264Vac	STD ON/OFF
			B Blue	120W	12°	20°		010 0-10V
			G Green		30°	40°		DALI
			A Amber		60°	5x20°	CAS Casambi	
					10x70°			
			RGBW					
			RGBW3	150W	15°	20°	UNIV 100-264Vac	DALI
			4 in 1 Chip RGB+W3000K		30°	60°		36 36Vdc
		RGBW4		15x60°		CAS Casambi		
		4 in 1 Chip RGB+W4000K						
		RGBW7						
		7 in 1 Chip RGBWCLA						

Reference example

VL-F25-C-DK-W60-120W-60°-UNIV-STD

Variations



A
Base

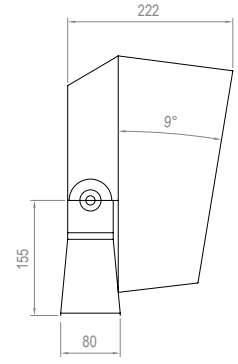
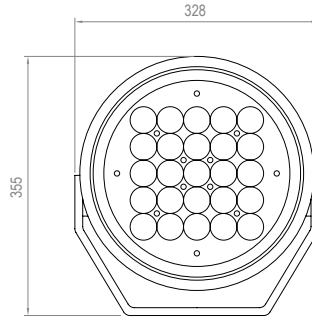
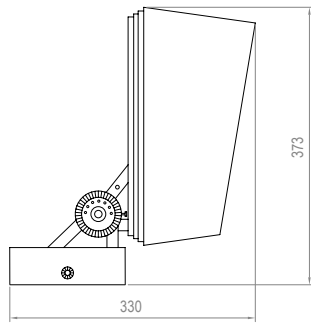
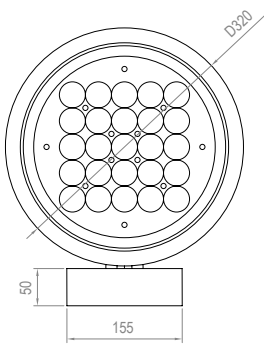


B
Base 2



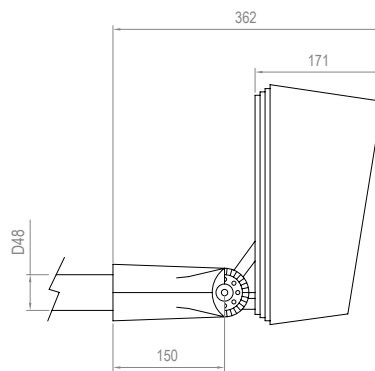
C
Pole Arm
D=45mm

Dimensions



TYPE A

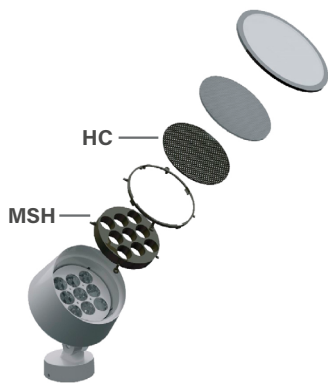
TYPE B



TYPE C

Accessories

Code	Accessories
VL-F25	HC Honeycomb Grid MSH Mesh



Code	Accessories
VL-F25	*1BR Braket for 1 projector *2BR Braket for 2 projector *CBLX Special length cable

* Must be used with Type C
* Must be used with Type C
* Instead of X, put length of cable needed
Example: VL-F25-CBL-10m

