



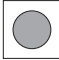
Description

Compact and modern design with separate bodies for leds and power supply to ensure the best heat dissipation and prolong the life of the fixture. High pressure die-casting aluminum with electrostatic coating to stand harsh outdoor environment. Many optic options including extreme narrow optic of 2.5 degree and accessories to meet project requirements. Ideal for building facade and accent applications with high lumen output.

Compliance

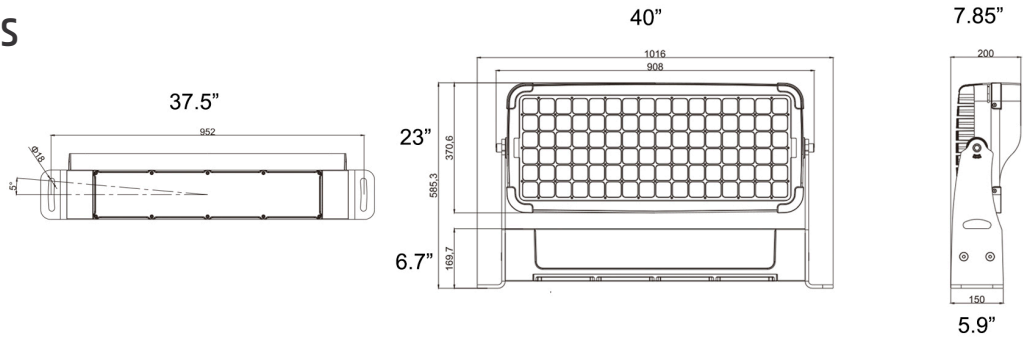


Features

- LED Chip: 96 Pieces of Cree Chips
- Input Wattage: 800W
- Lumen Output: 94,120 lm at 5000K 12°
- CCT: 2700K-5700K
- Optics: 2.5°, 3.5°, 12°, 20°, 30°, 60°, 10x70°, 5x20°
- Voltage: AC100-305V
- Operating Temperature: -25°C - 50°C
- IP Rating: IP66
- Finishes:  Grey
- Accessories: Glare Shield, Honeycomb Louvre
- Control: On/Off (DMX512 Optional)
- Life: 80,000 Hrs
- Warranty: Five Year



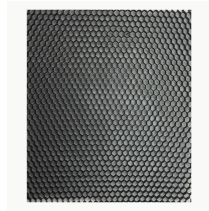
Dimensions



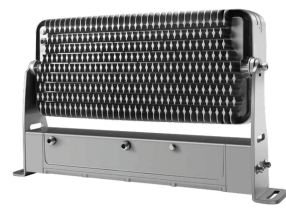
Accessories



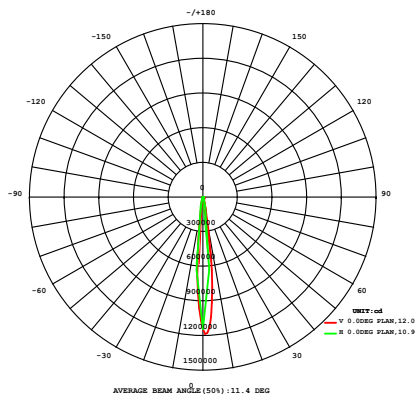
Glare Shield



Honeycomb Louvre



Photometric



Ordering Information

Item	COLOR TEMP.	VOLTAGE	OPTICS	FINISH	OTHERS
MEGALUX-96	-27K -2700K -30K -3000K -40K -4000K -50K -5000K -57K -5700K -60K -6000K	UNV 100-305V	O2.5 O1070 O3.5 O0520 O12 O20 O30 O60	GR Grey (Standard) CU Custom -Standard wire lead is 3 feet.	(Blank) VR Visor GS Glare Shield DMX DMX512 Control