




Description

Compact and modern design with separate bodies for leds and power supply to ensure the best heat dissipation and prolong the life of the fixture. High pressure die-casting aluminum with electrostatic coating to stand harsh outdoor environment. Many optic options and accessories to meet project requirements. Ideal for building facade and accent applications.

Compliance



Features

- LED Chip: 18 / 24 / 36 / 48 Cree Chips of Single color or RGBW 4-in-1
- Input Wattage: Up to 120W / 160W / 240W / 300W
- CCT or Color: 2700K, 3000K, 3500K, 4000K, 5000K, 5700K, RGBW
- Optics: Single Color: 3.5°, 5°, 8°, 12°, 20°, 30°, 60°, 10x70°, 5x20°
RGBW: 15°, 20°, 30°, 10x30°, 10x60°
- Voltage: AC100-305V
- Operating Temperature: -25°C - 50°C
- IP Rating: IP66
- Finishes: 
Grey
- Accessories: Visor, Honeycomb Louvre, cPure for RGBW
- Control: On/Off (Dimming / DMX512 Optional)
- Life: 80,000 Hrs
- Warranty: Five Year



Models



18 Chips
Up to 120W
15.75"L



24 Chips
Up to 160W
20"L

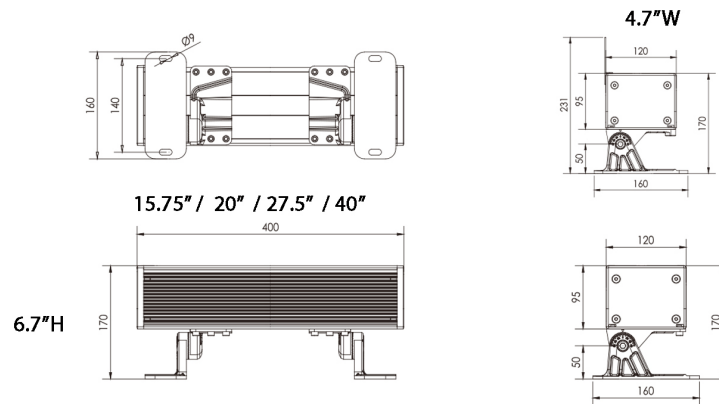


36 Chips
Up to 240W
27.5"L



48 Chips
Up to 300W
40"L

Dimensions



Ordering Information

Item	COLOR TEMP.	VOLTAGE	OPTICS	FINISH	OTHERS
LINEAR300W-18	-27K -2700K	UNV 100-305V	O3.5 O1070 O8 O0520 O12 O20 O30 O60	GR Grey (Standard) CU Custom	(Blank)
-24	-30K -3000K				VR Visor
-36	-40K -4000K				HL Honeycomb Louver
-48	-50K -5000K				DM Dimmable 0-10V
	-57K -5700K				DMX DMX512 Control
	-RGBW				
				-U Bracket is standard. -Standard wire lead is 3 feet.	