

# iotaLAMP

## Megalux RGBW 360W



### Description

Compact and modern design with separate bodies for leds and power supply to ensure the best heat dissipation and prolong the life of the fixture. High pressure die-casting aluminum with electrostatic coating to stand harsh outdoor environment. Many optic options and accessories to meet project requirements. RGBW 4-in-1 chips provides better color blending. Ideal for building facade and accent applications.

### Compliance

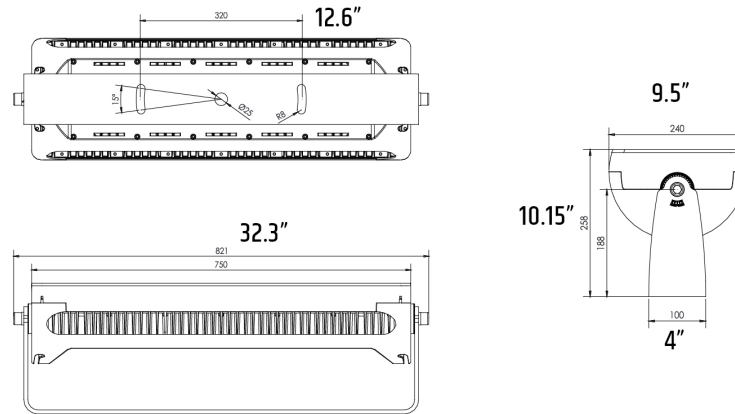


### Features

- LED Chip: 40 Pieces of Cree 4-In-1Chips
- Input Wattage: 360W
- Color: RGBW, White Color Tuning from 2200K to 6500K
- Optics: 8°, 25°, 10x45°
- Voltage: AC100-305V
- Operating Temperature: -25°C - 50°C
- IP Rating: IP66
- Finishes:   
Grey
- Accessories: Visor, Glare Shield
- Control: DMX512/RDM
- Life: 80,000 Hrs
- Warranty: Five Year



## Dimensions



## Ordering Information

Item	COLOR TEMP.	VOLTAGE	OPTICS	FINISH	OTHERS
MEGALUX-40	- <b>RGBW</b> -2700K -3000K -4000K -5000K	<b>UNV</b> 100-305V	<b>O8</b> <b>O25</b> <b>O1045</b>	<b>GR</b> Grey (Standard) <b>CU</b> Custom  - <b>U Bracket is standard.</b> - <b>Standard wire lead is 3 feet.</b>	<b>(Blank)</b> <b>VR</b> Visor <b>HL</b> Honeycomb Louvre <b>DMX</b> DMX512 Control <b>DMX/RDM</b> <b>cPure</b> Color Correction